

Microham Keyer – Kenwood radio cable – External Mic Adapter – Numeric Key Pad

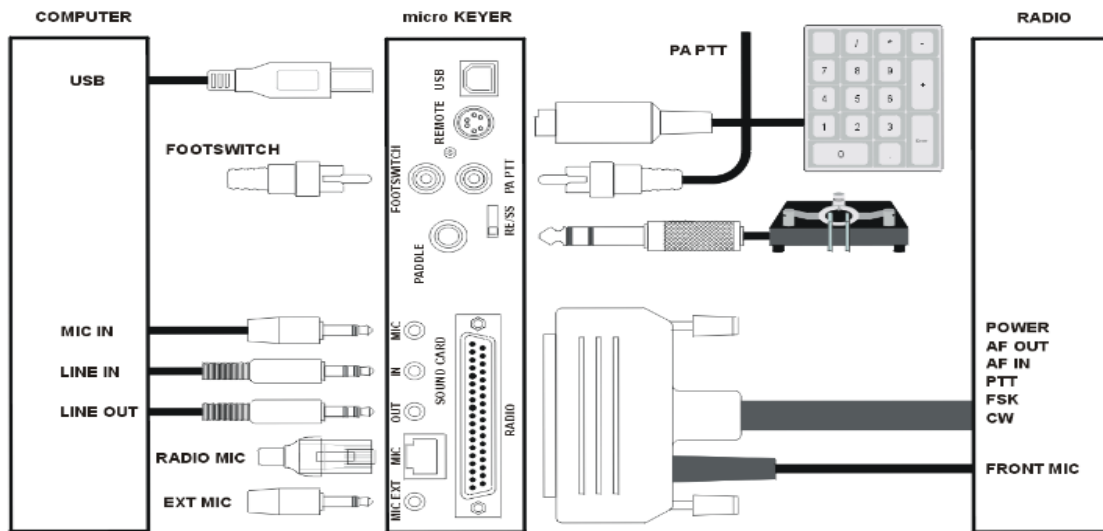


Version 8.0  
1 March 2016

K1EL Keyer – Complete Radio/PC Isolation – USB PC Interface – FSK/RTTY Keying – Sound/mic/Radio audio switching – Foot switch control – Much more. = Package \$140

Ken – KD2KW – Contact: kd2kw <@> arrl.net

*microKEYER* ("MK") is an all mode computer to transceiver interface.



The computer is connected to MK using three (3) standard audio cables and one A-B USB cable.

The transceiver and MK are connected by a single radio cable terminated on one side by a DB37M and on the other side by plugs appropriate for the specific transceiver. The cable carries power for MK, audio, CAT control and keying. A second cable from the DB37 connects to the transceiver's microphone jack.

The remaining connectors on the rear panel of the MK support optional accessories like foot switch, paddle, microphone, and keypad.


MK works with or without a computer. Switching between modes is fully automatic.

Included accessories:

### DB37-TS-9



Transceiver connection cable for *microKEYER*, *microKEYER II*, *microKEYER III*, MK2R and MK2R+

SUPPORTED TRANSCEIVERS	SCHEMATIC
TS-570S, TS-570D, TS-590, TS-870, TS-870S, TS-890, TS-2000	



Sale price: **\$95.00**

Quantity:

[ADD TO CART](#)



**PS/2 Numeric Keypad**

**\$29.00**

[ADD TO CART](#)



**Foster 8 to RJ-45 Adapter**

**\$19.00**

[ADD TO CART](#)